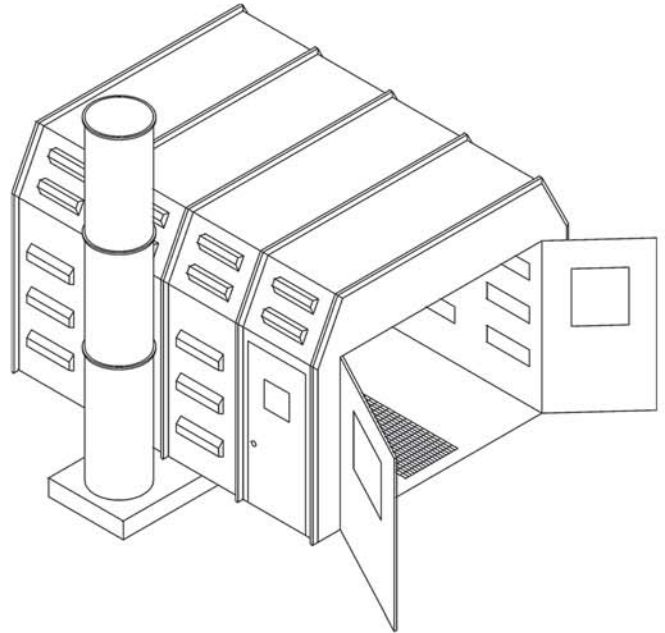




Amerex Corporation



**Vehicle Paint Spray Booth
(Standard / Over-size)**

Open Front Paint Spray Booth

Total Flood

**Local Application
(Overhead / Tankside)**

Industrial
FIRE SUPPRESSION
Systems

INTRODUCING THE ALL NEW AMEREX “IS” AUTOMATIC INDUSTRIAL DRY CHEMICAL SYSTEM

For over 30 years, Amerex has been protecting facilities and businesses of all types from fire. Our innovative fire extinguisher and automatic system designs have prevented damage and loss that would have been caused by the ravages of fire. Costs associated with lost production time, equipment replacement and “business interruption” are a concern for any industry. In keeping with the Amerex tradition of concern for the customer, the Amerex “IS” has been designed to offer the best fire protection available and we do it with less. Less equipment means less time to install, less time to service and fewer nozzles to locate (and get in your way). All of this could translate into lower initial cost and lower maintenance cost over the life of the system.

We’ve got you covered with the best Fire Extinguishing agent available



The Amerex “IS” system uses our exclusive ABC (Model 555) dry chemical. ABC dry chemical suppresses more fire, by volume, than any other agent. ABC dry chemical has quick flame “knock-down” and can help to secure Class A fires against re-ignition. Since many hazards involve a variety of fuel sources, our ABC dry chemical, with protection against Class A (wood, paper, pulp), Class B (flammable liquids) and Class C (live electrical equipment) is the agent that is best suited for most Industrial hazards.

Always ready when you need it

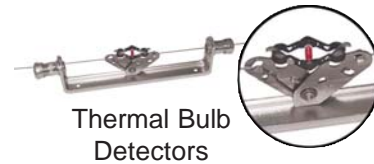


Mechanical, Electrical,
and Pneumatic Control
Panels

The Amerex “IS” industrial system incorporates an automatic detection system that will operate in case of a fire anytime, 24/7, even if no one is present. As with the rest of the “IS” system design and philosophy, the automatic fire detection system uses fewer components which saves on installation and maintenance costs.

OPTIONS:

- ◆ CONTACTS FOR BUILDING FIRE ALARM SYSTEM
- ◆ CONTACTS FOR AUDIBLE DEVICE



Fewer Cylinders, Fewer Nozzles, Less Pipe

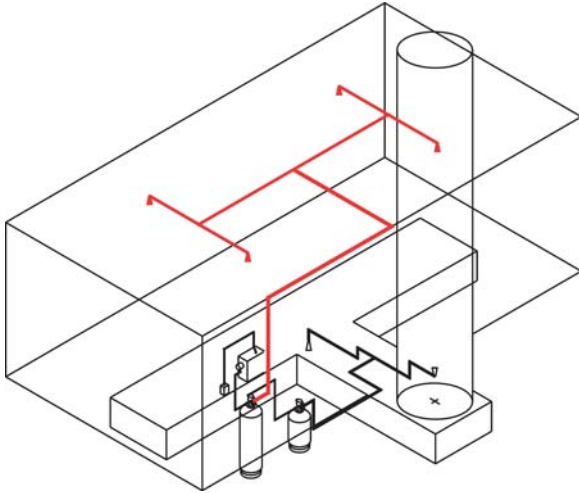


The Amerex “IS” industrial system uses fewer nozzles, including a unique “3-way” nozzle that eliminates the need for two separate nozzles for many situations. In some cases this may even eliminate an extra agent cylinder!

An Amerex “IS” exclusive!

*** Amerex warrants hardware for 1 year against manufacturing defects**

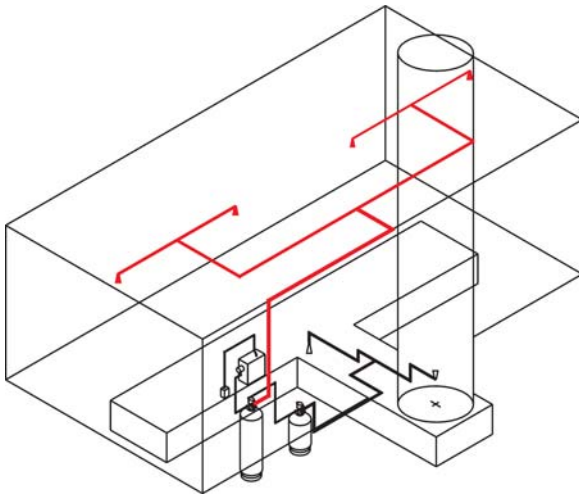
Unique listings and applications



“Over-size” Paint Spray Booths – The Amerex **“IS”** has the first UL Listing allowing nozzles to be placed up to 23’-4” above the floor – now you can protect large vehicle paint spray booths that are used for trucks and heavy equipment with a fully UL Listed system that has been specifically tested using live fires for this application.

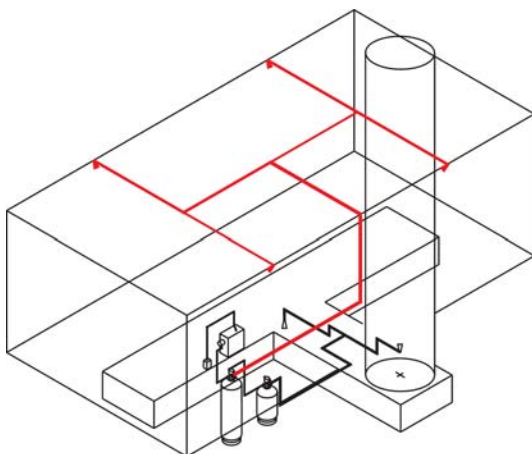
First Industrial system to be listed by UL under the newest edition of test Standard 1254 for nozzle heights up to 23’-4” above the floor – excellent for covering truck and heavy equipment spray booths.

An Amerex **“IS”** exclusive!!



Nozzles may be placed down the center of a standard sized booth to make filter replacement easy.

An Amerex **“IS”** exclusive!!



“Standard-sized Down Draft” Booths using the ceiling as a plenum – The Amerex **“IS”** system has unique UL Listings that allow for options regarding the placement of nozzles. Nozzles may be placed in the traditional “H” pattern or they may be placed “Inline” down the center of the ceiling or even at the side walls. This allows nozzles to be placed out of the way for periodic replacement of the filters saving you time, money and hassle.

An Amerex **“IS”** exclusive!!

General Product Specification

The Industrial fire suppression system shall be the Amerex pre-engineered, dry chemical, stored-pressure type with a fixed nozzle agent distribution network. **The system shall be listed by Underwriter's Laboratories, Inc. to Standard 1254 "Pre-Engineered Dry Chemical Extinguishing System Units"**. The system shall be designed, installed and maintained in accordance with: Amerex part number 15040 "Installation, Operation, and Maintenance Manual", NFPA 17 (Extinguishing Systems), NFPA 72 (Detection and Alarm-Controlled Units), NFPA 70 (for electrical connections), local codes and ordinances, by an Authorized Amerex Industrial Fire Suppression Systems Distributor using Factory Trained personnel.

Upon completion of system installation and final testing with the local Authority Having Jurisdiction, an Owner's Manual for the system shall be given to the owner or owner's agent. The Authorized Amerex Industrial Systems Distributor shall give instruction on the use of the system and hand portable fire extinguishers to those employees designated by the owner or owner's agent.

The Company...

Amerex Corporation has supplied the fire equipment industry with quality products for over 30 years. Our product reliability and commitment to customer service is unsurpassed by any other fire equipment manufacturer. With Amerex you are assured the highest quality available anywhere and product support is a priority. Amerex has taken pride in utilizing "backwards compatability" even before the phrase was coined. Most of our current hand portable extinguishers utilize the same parts as extinguishers that were manufactured decades earlier. Our unique combination of embracing innovation where appropriate and sticking with the time honored tradition and support of earlier products is not found among any other fire equipment manufacturer.



For more information please contact:

Amerex Corporation

P.O. Box 81

Trussville, AL 35173-0081

Ph: (205) 655-3271

Fax: 1-800-654-5980

e-mail: sales@amerex-fire.com

internet: www.amerex-fire.com